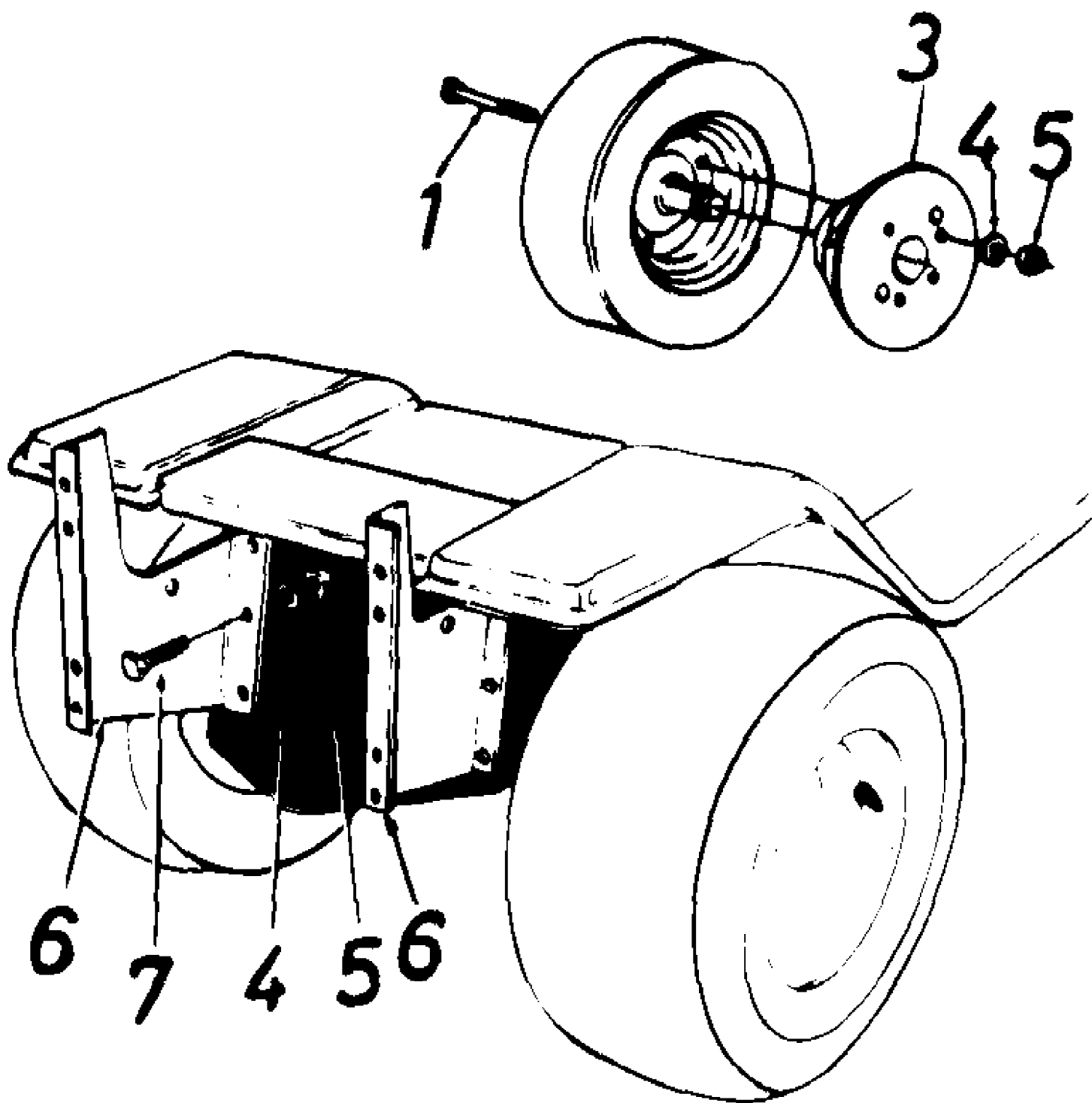


190-084-190 Adapter for 190-063 (1994)  
Twin Grass Collector Mounting Kit



190-084-190 Adapter for 190-063 (1994)  
Twin Grass Collector Mounting Kit

Page 2 of 2

Ref #	Part Number	Qty	S/P/F	Description
1	710-0190	4	/P	Hex Bolt 5/16-18 x 4" Lg.
3	723-0414B	2		Wheel Weight
4	736-0119	12	S/F	L-Wash. 5/16" I.D.
5	712-0267	12	S/F	Hex Nut 5/16-18 Thd.
6	16672A	2	S	Catcher Support Brkt.
7	710-0118	6	S	Hex Bolt 5/16-18 x .75" Lg.